

# Power Supply – TOCCOtron® AC 25 kW

Innovation  
Revolution

## Air-Cooled Induction Heating Power Supply

### TOCCOtron AC – 25 kW

#### Technical Specifications:

**Power Range:** 25 kW

**Frequency Range:** 10 - 50 kHz

**Input Line Voltage:** 400 / 480 Vac, 3 phase, 50 / 60 Hz

**Input Power Factor:**  $\geq .95$

The 25 kW TOCCOtron® AC induction heating power supply represents the very latest in medium frequency inverter design. Features such as air cooled design, a wide conductance window and wide frequency range make this the most user friendly and versatile induction heating power supply on the market. The 25 kW TOCCOtron® AC from Ajax TOCCO is perfect for forging, melting, brazing, shrink fitting, pre-heating prior to welding, heat treating, bonding, curing, industrial bolting applications and much more.

#### Features & Benefits:

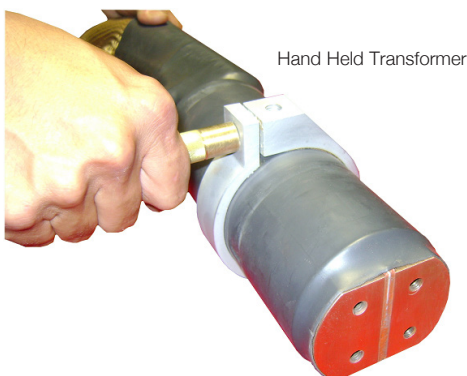
- 25 kW 100% continuous duty output
- 10-50 kHz frequency range
- Internal load matching components
- Transformer isolated output
- 100% air-cooled design
- CE certified (upon request)
- 3:1 conductance window eliminates load matching
- Available hand held process controller
- Hand held inductor options
- Remote load options
- Solid state (IGBT) current source inverter
- Compatible with other standard Ajax TOCCO accessories



TOCCOtron AC - 25 kW Power Supply



Simple I/O Connections



Hand Held Transformer



Remote Bench Top  
Mounted Transformer

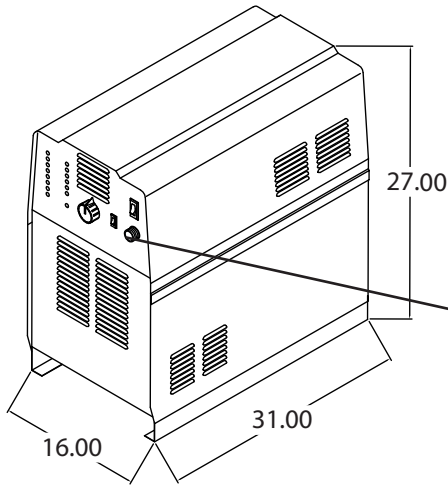
**Ajax TOCCO**  
Magnethermic

[www.AjaxTocco.com](http://www.AjaxTocco.com)

# Power Supply – TOCCOtron<sup>®</sup> AC 25 kW



## Air-Cooled Induction Heating Power Supply

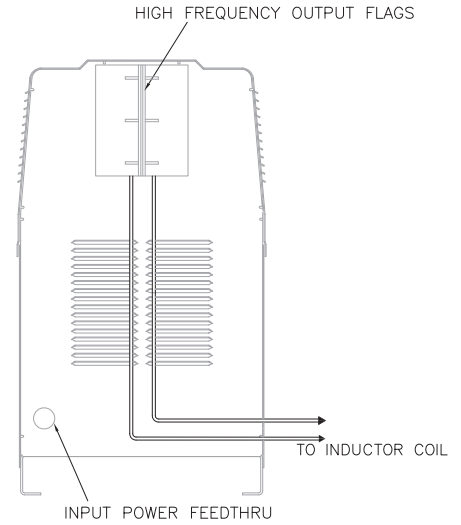
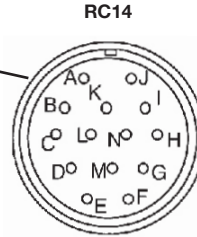


**TOCCOtron<sup>®</sup> AC 087730**

**Cabinet Dimensions:**

16 in W x 31 in D x 27 in H (407 mm W x 788 mm D x 686 mm H)

**Weight:** approx. 165 lb (75 kg)



TOCCOtron AC – 25 kW – 087730			
		IEC 60974-1	
	10 kHz - 50 kHz	02. kW to 25 kW	
	IP21S	U <sub>0</sub>	I <sub>2</sub> 750 A
		N/A	U <sub>2</sub> 700 V
	U1 400 / 460V 3 ~ 50 / 60 Hz	I <sub>1</sub> max 40A	P <sub>1</sub> max 30.8 kVA

\* Upon request

RC14 Communications		
Remote 14	Socket	Socket information
Remote On / Off	A	+24 volts DC
	B	Contact closure to A activates HF output.
Remote Output Control	C	Command reference; +10 volts DC.
	D	Control circuit common.
	E	Input command signal (potentiometer wiper or 0 to +10 volts DC).
Power Source Limit	G	Not used.
	F,J	Absence of internal contact closure between F and J signals power source error to remote control device.
Remote Metering	H	Not used.
	I	Actual frequency output signal (1 volt / 10 kHz)
	L	Average power output signal (1 volt / 5 kW)
	M	Voltage output signal RMS (1 volt / 100 volts).
	N	Output current signal RMS (1 volt = 100 Amps)
	K	Chassis common.

**Ajax TOCCO Magnethermic**  
**World Headquarters**  
 1745 Overland Avenue NE  
 Warren, Ohio USA 44483  
 +1-330-372-8511  
 +1-330-372-8608 Fax

**USA:**  
 Albertville, AL +1-256-279-1200  
 Wickliffe, OH +1-440-295-0244  
 North Canton, OH +1-330-818-8080  
 Longview, TX +1-903-297-2526  
 Madison Heights, MI +1-248-399-8601  
 Sterling Heights, MI +1-586-254-8470  
 Brookfield, WI +1-262-317-5300

**Worldwide:**  
 Brasil 5535-3435-2074  
 Belgium (LeRoelux) 32-64-67-37-77  
 Canada (Ajax, Ontario) 905-683-4980  
 China (Shanghai) 86-21-6800-9546  
 England (Birmingham) 44-121-322-8000  
 France 39-011-99-77-999  
 Germany (Hirschhorn) 49-6272-9217-500  
 India 91 72005 05904  
 Italy (Turin) 39-011-99-77-999  
 Japan (Tokyo) 81-3-3647-7661  
 Korea (Seoul) 82-2-837-0413  
 Mexico (Queretaro) 52-44-2221-5415  
 Singapore 65-9699-4089



[www.AjaxTocco.com](http://www.AjaxTocco.com)

