

# Power Supply – TOCCOtron® AC 5 kW, 10 kW

Innovation  
Revolution

## Air-Cooled Induction Heating Power Supply

### 5 kW, 10 kW

#### Technical Specifications:

**Power Range:** 5 kW (continuous duty), 10 kW (duty cycle)

**Frequency Range:** 10 - 50 kHz

**Input Line Voltage:** 230 / 400 / 480 Vac, 3 phase, 50 / 60 Hz

**Input Power Factor:**  $\geq .95$

The 5/10 kW TOCCOtron® AC induction heating power supply represents the very latest in medium-high frequency inverter design. Features such as air cooled design, a wide conductance window, and wide frequency range make this one of the most user friendly and versatile induction heating power supplies on the market. The portable 5/10 kW TOCCOtron® AC from Ajax TOCCO is perfect for forging, melting, brazing, shrink fitting, pre-heating prior to welding, bonding, curing, and much more.

#### Features & Benefits:

- 5 kW 100% continuous duty output (10 kW burst mode)
- 10 kHz to 50 kHz frequency range
- Internal load matching components
- Transformer isolated output
- 100% air-cooled design
- CE certified (upon request)
- 3:1 conductance window eliminates load matching
- Compatible with other standard Ajax TOCCO accessories
- Available hand-held process controller
- Hand held inductor options
- Remote load options
- Solid state (IGBT) current source inverter



5 kW Hand Held Transformer



TOCCOtron AC - 5 kW Power Supply



Simple, Reliable I/O Connectors

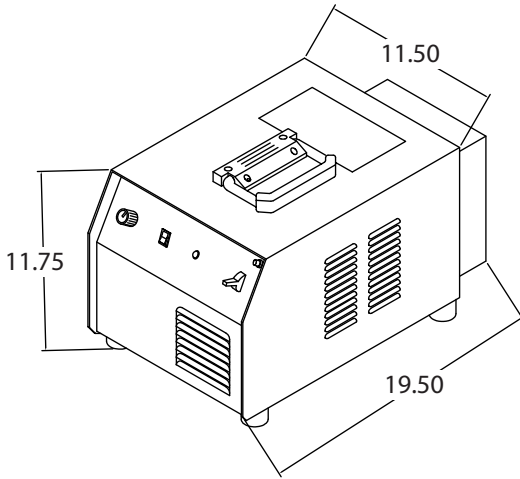


Portable Induction Heating

# Power Supply – TOCCOtron® AC 5 kW, 10 kW

Innovation  
Revolution

Air-Cooled Induction Heating Power Supply

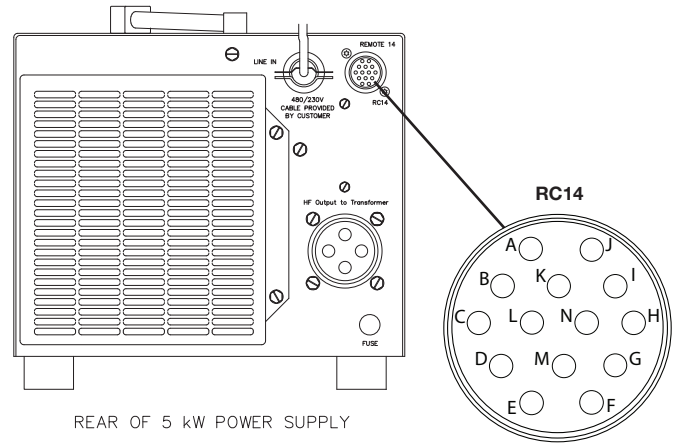


## TOCCOtron® AC 103024

### Cabinet Dimensions:

11.5 in W x 19.5 in D x 11.75 in H (292 mm W x 495 mm D x 298 mm H)

Weight: approx. 65 lb (30 kg)



REAR OF 5 kW POWER SUPPLY

### TOCCOtron AC – 5 kW – 103024

			EN61000 EN60204
	 10 kHz - 50 kHz	02. kW to 5 kW	
		X	100%
<b>IP21S</b>	U <sub>0</sub>	I <sub>2</sub>	300 A
	N/A	U <sub>2</sub>	320 V
 3 ~ 50 / 60 Hz	U1 230 / 400 / 480	I <sub>1,max</sub> 44 / 24 / 22A	P <sub>1,max</sub> 17 kVA

\* Upon request / special order

### RC14 Communications

Remote 14	Socket	Socket information
Remote On / Off	A	+24 volts DC
	B	Contact closure to A activates HF output.
Remote Output Control	C	Command reference; +10 volts DC.
	D	Control circuit common.
	E	Input command signal (potentiometer wiper or 0 to +10 volts DC).
Power Source Limit	G	Not used.
	F, J	Absence of internal contact closure between F and J signals power source error to remote control device.
Remote Metering	H	Not used.
	I	Actual frequency output signal (1 volt / 5 kHz)
	L	Average power output signal (1 volt / 1 kW)
	M	Voltage output signal RMS (1 volt / 50 volts).
	N	Output current signal RMS (1 v = 50 Amps)
	K	Chassis common.

**Ajax TOCCO Magnethermic  
World Headquarters**  
1745 Overland Avenue NE  
Warren, Ohio USA 44483  
+1-330-372-8511  
+1-330-372-8608 Fax

**USA:**  
Albertville, AL +1-256-279-1200  
Wickliffe, OH +1-440-295-0244  
North Canton, OH +1-330-818-8080  
Longview, TX +1-903-297-2526  
Madison Heights, MI +1-248-399-8601  
Sterling Heights, MI +1-586-254-8470  
Brookfield, WI +1-262-317-5300

**Worldwide:**  
Belgium (LeRoelux) 32-64-67-37-77  
Brazil 5535-3435-2074  
Canada (Ajax, Ontario) 905-683-4980  
China (Shanghai) 86-21-6800-9546  
England (Birmingham) 44-121-322-8000  
France 33-6-80-72-43-41  
Germany (Hirschhorn) 49-6272-9217-500

India 91-20-66346100  
Italy (Turin) 39-011-99-77-999  
Japan (Tokyo) 81-3-3647-7661  
Korea (Seoul) 82-2-837-0413  
Mexico (Queretaro) 52-44-2221-5415  
Singapore 65-9699-4089  
Spain 34-961-352-020

Ajax TOCCO Group Companies:



[www.AjaxTocco.com](http://www.AjaxTocco.com)

